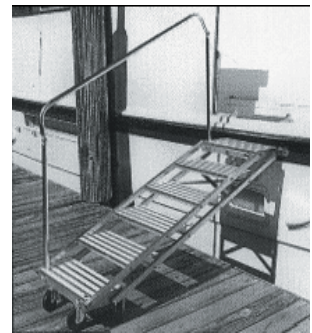


Sea Stairs—

- Self-leveling treads provide safe, convenient yacht boarding.
- Attaches conveniently with pin mount or flush mount brackets that also accommodate our *Sea Ladders*.
- Stainless steel casters for exceptional corrosion resistance.
- Stair treads available in white, gray or black non-skid tape, raised white vinyl or teak insert strips, or Marinedeck 2000 composite decking surface.
- Yacht name may be added as an option on teak, vinyl, or Marinedeck tread models.
- All stairs include one straight stanchion handrail and two pairs of mounting brackets.
- Easily equipped with an additional handrail for secure handhold on both sides while boarding.
- Optional offset stanchions provide additional room when using two handrails.
- Two-section take-apart models are available if additional steps are occasionally needed.
- Optional angle or swivel mounting platforms for use on narrow finger piers and crowded docks.
- Custom widths, lengths, and special application stairs to suit your specific boarding requirements.

Operational Height, Dimensions, and Weight—

Stair Size:	Deck to Dock Height: (High Tide)	Stair Width:	Stowed Length:	Stowed Thickness:	Weight: (Approximate)
6 Steps	to 48" (122 CM)	<i>Standard stairs have a 19" (48 cm) walkway and are 21" (53 CM) overall.</i>	63-1/2" (161 CM)	2" (5 CM)	47 LBS (21 KG)
7 Steps	49-56" (124-142 CM)	<i>Wider stairs with 24" or 36" walkways are also available.</i>	74" (188 CM)	2" (5 CM)	55 LBS (25 KG)
8 Steps	57-64" (145-163 CM)		84-1/2" (215 CM)	4" (10 CM)	75 LBS (34 KG)
9 Steps	65-72" (165-183 CM)		95" (241 CM)	4" (10 CM)	85 LBS (39 KG)
10 Steps	73-80" (185-203 CM)		105-1/2" (268 CM)	4" (10 CM)	95 LBS (43 KG)
11 Steps	81-88" (206-224 CM)		116" (295 CM)	4" (10 CM)	
12 Steps	89-96" (226-244 CM)		126-1/2" (321 CM)	6" (15 CM)	



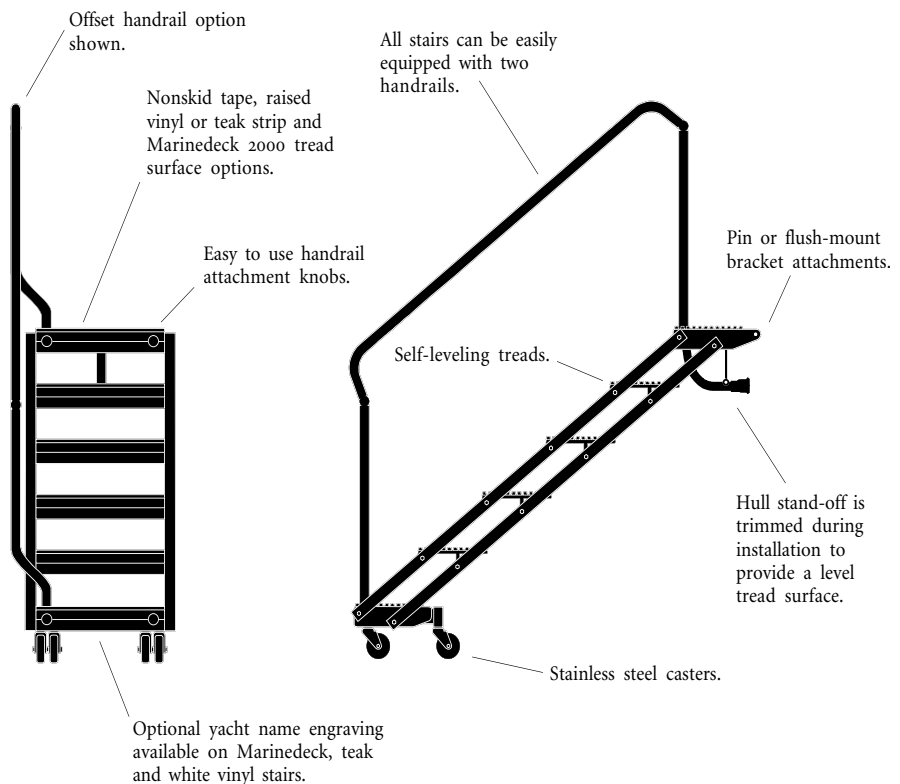
Teak and Marinedeck tread Stairs—

Our elegant teak and Marinedeck tread *Sea-Stairs* include a few additional premium features:

- An oiled teak handrail.
- Your choice of stowage systems for either rail or bulwark mounting.

Popular Options—

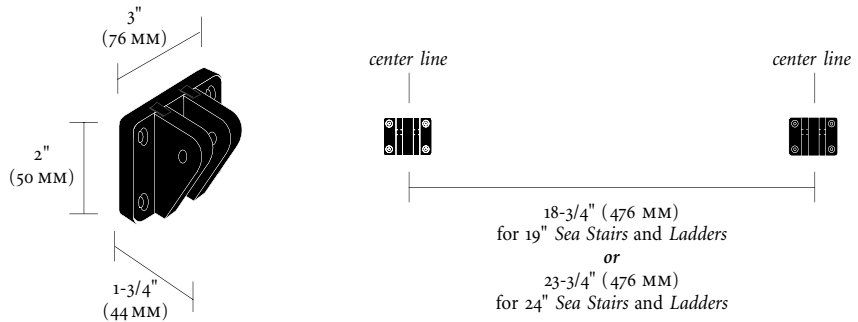
- Your yacht's name engraved in one of the treads.
- A second handrail.
- A white *Starboard* handrail to compliment a white vinyl stair.
- Secure stowage kits for rail or bulwark mounting.
- A weathercloth cover to protect the stair while stowed.
- A stand-off extension to maintain level tread surfaces at two different mounting locations along the hull.
- Two-section models to provide two stair lengths (of your choice) without the need for two complete sets of stairs.
- Angle or swivel platforms to facilitate boarding from narrow piers.



Mounting Systems for Sea Stairs and Sea Ladders—

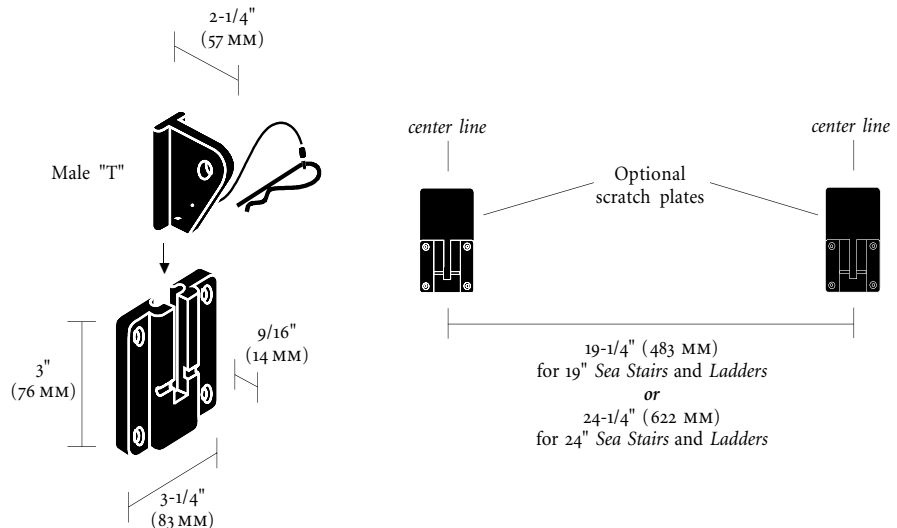
Pin Mount Brackets—

- Our most popular mounting system.
- Accepts all MarQuipt pin mount equipment.
- Marine grade aluminum anodized construction.
- Mounts either vertically to the hullside or horizontally on the caprail surface.
- Each bracket should be bedded in quality marine sealant/adhesive and secured with four marine grade stainless steel #14 OHST (oval head, self-tapping screws).



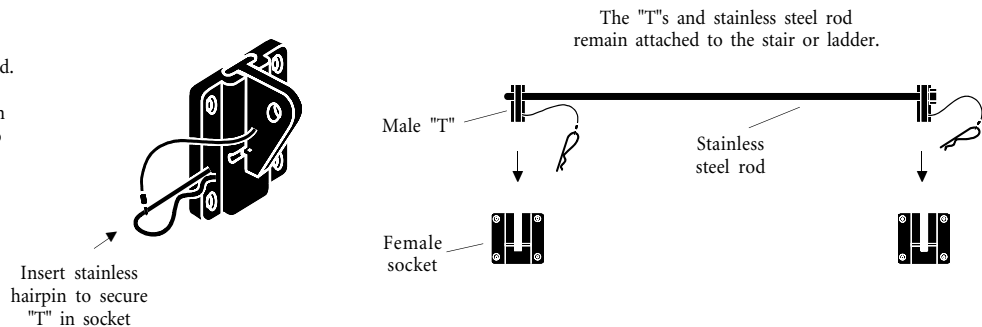
Flush Mount Brackets—

- The obvious choice when pin mount brackets protrude past the rub rail.
- Accepts all MarQuipt rod mount equipment.
- Marine grade aluminum anodized construction.
- Mounts vertically to the hullside (no horizontal mounting).
- Optional polished stainless steel scratch plates are available to protect the hull when inserting or removing the stir or ladder.
- Each socket should be bedded in quality marine sealant/adhesive and secured with four marine grade stainless steel #14 OHST (oval head, self-tapping screws).
- Sockets must have 2-1/2" (64 MM) of free space above them to allow for insertion and removal of the male "T"s.



Flush Mount Kits—

- Our flush mount kit consists of two male "T"s and a polished and passivated 316-L stainless steel rod.
- If you wish to mount your stair or ladder in more than one location along the hull, you will need two additional female sockets per location. The "T"s and stainless steel rod remain attached to the stair or ladder.



GENERAL
Marine
SERVICES

156 Beaumont Street · Westhaven · Auckland · New Zealand
Sales Ph +64 9 309 0048 · sales@generalmarine.co.nz
Service Ph +64 9 368 0938 · service@generalmarine.co.nz

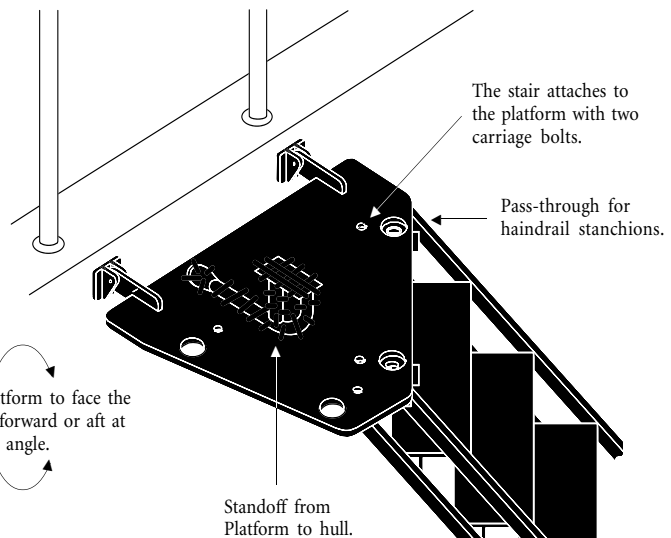
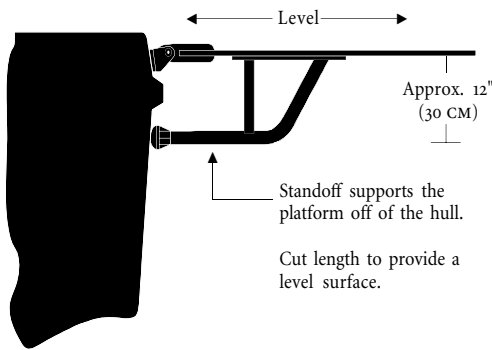
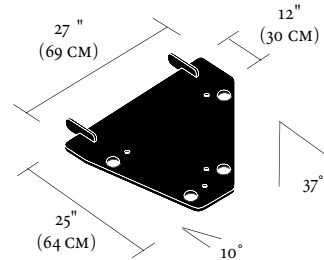
www.generalmarine.co.nz

Sea Stair Angle Platform and Extension Options—

Angle Platform—

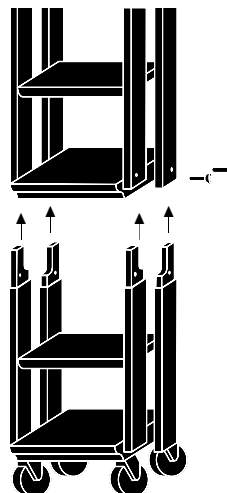
- An easy way to use your *Sea Stair* on narrow docks or finger piers.
- Provides for mounting a *Sea Stair* at a 10° or 37° angle from the side of the vessel, extending either forward or aft.
- Disconnects from the *Sea Stair* for easy stowage.
- Attaches to your existing *Sea Stair* brackets.
- Rugged, anodized aluminum construction with 3M *Safety Walk*® non-skid surfacing.

The dimensions shown at the right are for a standard 19" wide *Sea Stair*. Angle platforms for 24" wide *Sea Stairs* are also available - call for dimensions.



Detachable Stair Extensions—

- Provides accommodation for differing dock heights or for two mounting locations which would otherwise require separate stairs.
- Provides the flexibility of two stair lengths without requiring the stowage area for two complete stairs.
- Assembles easily and securely with simple stainless steel push pins.
- Custom lengths available upon request.
- Requires 1" x 2" side rails.



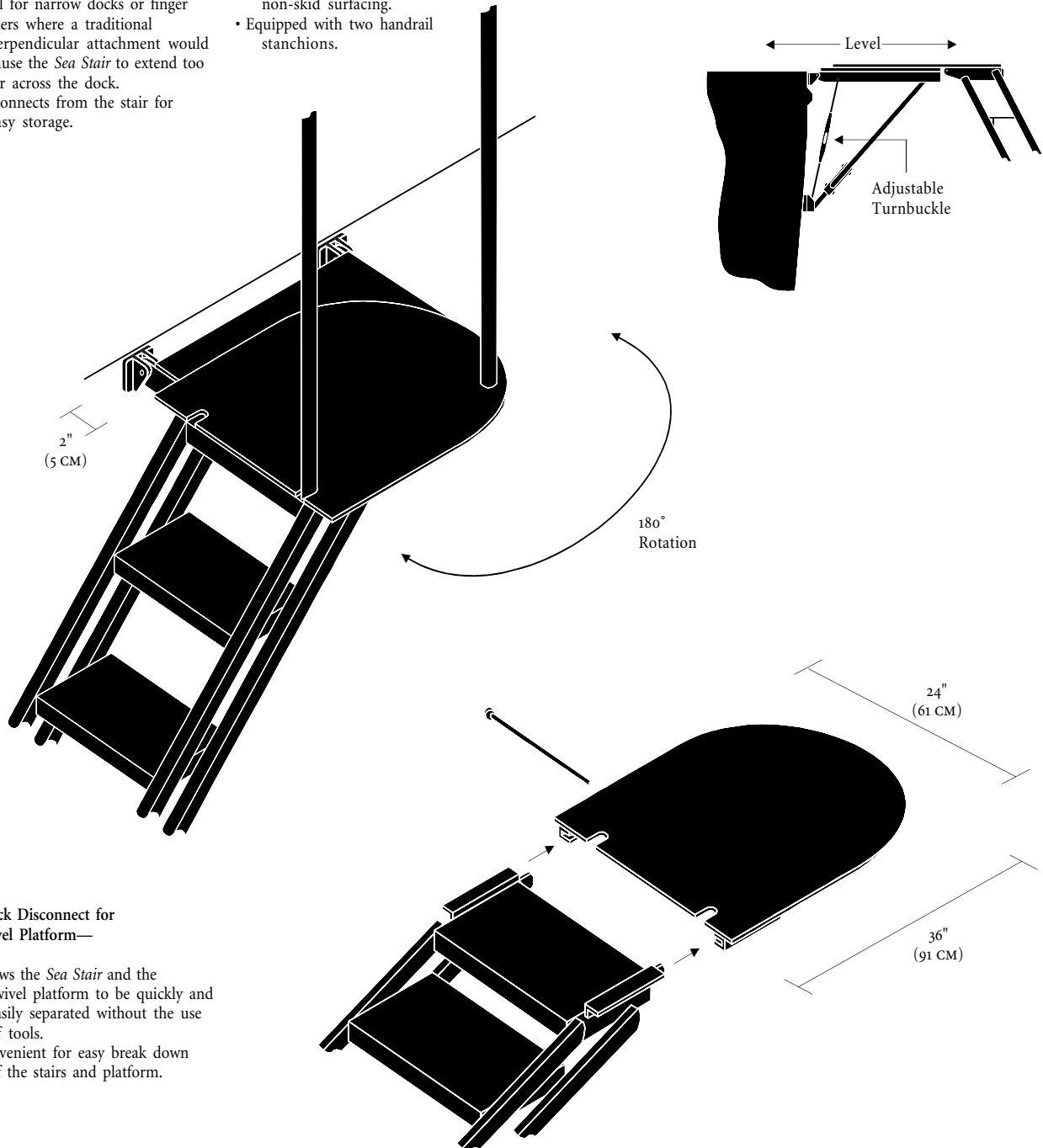
Additional Steps—	Extension Length— (Added to Overall Stair Length)
2 Steps	21" (53 CM)
3 Steps	31-1/2" (80 CM)
4 Steps	42" (107 CM)



Sea Stair Swivel Platform—

Swivel Platform—

- Allows *Sea Stairs* to rotate 180° to provide precise positioning.
- Ideal for narrow docks or finger piers where a traditional perpendicular attachment would cause the *Sea Stair* to extend too far across the dock.
- Disconnects from the stair for easy storage.
- Rugged, anodized aluminum construction with 3M *Safety Walk*® non-skid surfacing.
- Equipped with two handrail stanchions.



Quick Disconnect for Swivel Platform—

- Allows the *Sea Stair* and the swivel platform to be quickly and easily separated without the use of tools.
- Convenient for easy break down of the stairs and platform.

